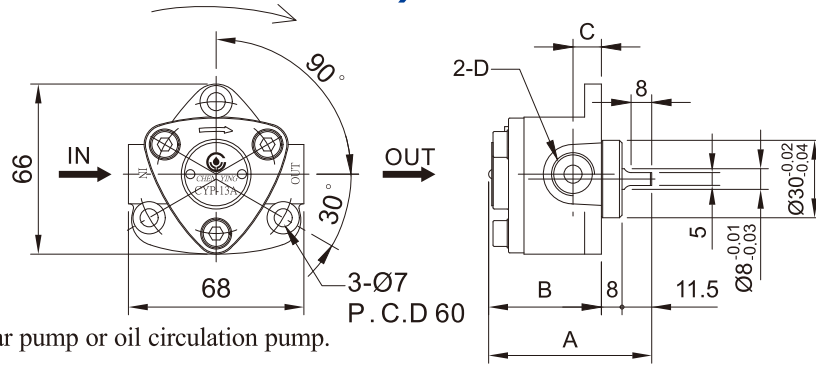


Rotary Oil Pump (Clockwise or Anti-clockwise)

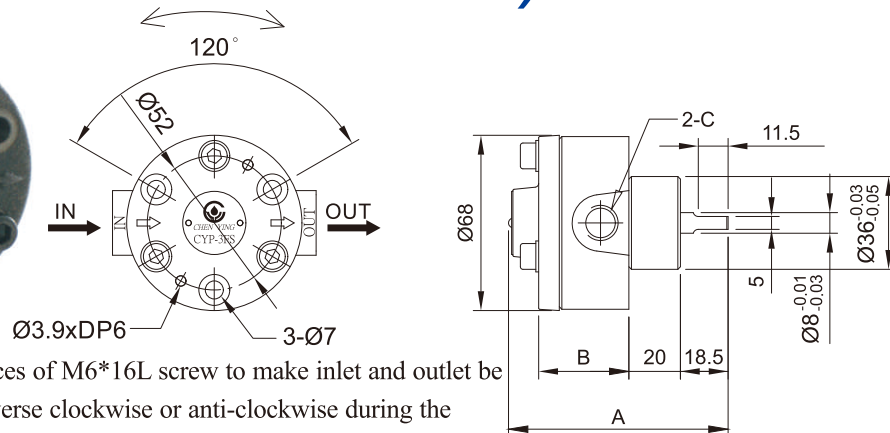


◆ Features

1. Rotary oil pump is also called triangular pump or oil circulation pump.
2. Recommend to assemble with 1/4 HP Horizontal Motor.
3. The flow rate of CYP-10A ~ 13A are all different, and the standard model is clockwise. Please remark on order while request anti-clockwise one.
4. It can be added an adjustable pressure valve CYP-AV as optional. The range of pressure adjustment is 0~5 kg/cm².
5. Special request on assembling with reservoir or cyclic inlet or motor with fan, etc. are available. Refer to Chen Ying Circulating Electric Lubricator series products.
6. The standard revolution is 1420~1720 rpm. Low rpm 450~1200 rpm is only available for CYP-12L type.
7. It can be applied widely for lubricating or cooling in various machines.
8. The suitable oil viscosity is R32~68cSt @ 40 °C and suitable operating temperature is 0°C ~ 90°C.

Model	Dis. Volume(L/min)		Max Pressure	R.P.M	A	B	C	D	N.W. (g)
	1420rpm	1720rpm							
CYP-10A	1.1	1.4	5kgf/cm ²	1420~1720	56.5	37	11	PT1/8	570
CYP-11A-1	2.2	2.7			56.5	37	11	PT1/8	600
CYP-11A-2								PT1/4	
CYP-12A	3.7	4.5		1420~1720	62.5	43	11	PT1/4	650
CYP-12L	3.4	4.2						PT1/4	
CYP-13A	6.5	7.9		1420~1720	77.5	58	13.5	PT3/8	840

Reversible Pump (Clockwise and Anti-clockwise)



◆ Features

1. Reversible pump uses three pieces of M6*16L screw to make inlet and outlet be fixed. The rotating shaft can reverse clockwise or anti-clockwise during the operation of machine.
2. It is suitable for assembling with gear pump.
3. There are CYP-1FS~3FS available for different flow rate. The high revolution is 2,000 rpm.
4. Reversible pump is usually applied in Drilling Machines, Milling Machines, and CNC Lathes, etc.
5. The suitable oil viscosity is R32~68cSt @ 40°C.

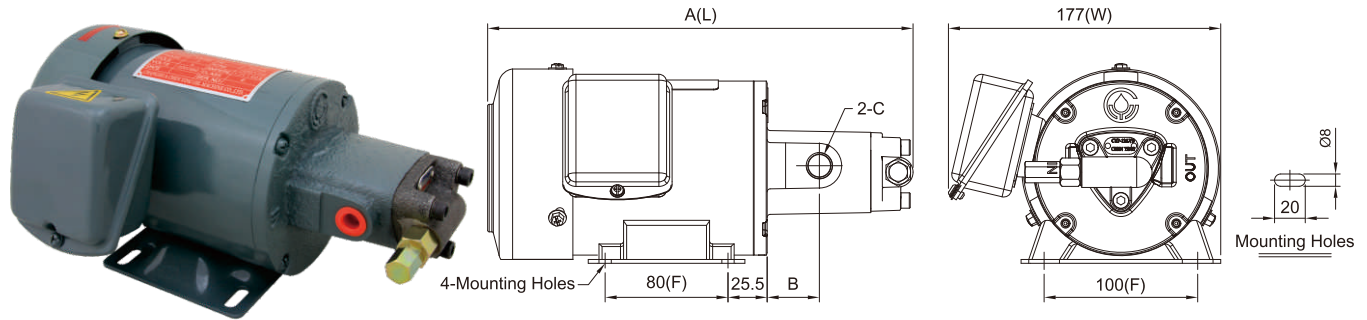
Model	Dis. Volume(L/min)		Max Pressure	R.P.M	A	B	C	N.W. (g)
	1420rpm	1720rpm						
CYP-1FS	1.7	2.0	5kgf/cm ²	2000	85	35	PT1/4	1000
CYP-2FS	2.7	3.2			89	39		1100
CYP-3FS	3.7	4.5			93	43		1200



CHEN YING

Integrated Motor with Oil Pump

Integrated Motor with Oil Pump



1/4HP Integrated Motor with Oil Pump Externals
(With Rotary Oil Pump and Pressure Valve)

◆ Features

1. Integrated Motor with Oil Pump only rotates either clockwise or anti-clockwise and the specification is only available for 1/4 HP Horizontal Motor.
2. The shafts of motor and pump rotor are integrated so that it can prevent the two shafts from chafing against each other and prolong the life time of it.
3. There are CYP-12A and CYP-13A available for different flow rates.
4. It can be added an adjustable pressure valve as optional. The range of pressure adjustment is 2~5 kgf/cm².
5. CYP oil pump can be added bearings to reduce wear rate and the noise. This design has Taiwan Design Patent no. M344393.
6. It can be applied widely for lubricating or cooling in various machines, such as CNC machines, knitting machines and planning machines.
7. Suitable oil viscosity range is 32~68cSt@40 °C
8. The suitable operation temperature range is 0°C ~ 90°C.

◆ Specification

Model	W/Adjustable Pressure Valve	A	B	C	Discharge Volume (L/min)		Max Pressure	R.P.M	N.W.(g)
					1420rpm	1720rpm			
CYP-12A	O	265	37	PT1/4	3.7	4.5	5 kgf/cm ²	1420~1720 rpm	7020
	X	249	37						6787
CYP-13A	O	277	34	PT3/8	6.5	7.9	5 kgf/cm ²	1420~1720 rpm	7150
	X	261	34						6917

◆ Order Code :

PMO-1	02	D	12	1	※
Integrated Motor W/Oil Pump	Motor 02: 1/4HP	Voltage A : 1Ø110V C : 1Ø220V D : 3Ø220/380V E : 3Ø220/440V F : 3Ø208/415V G : 3Ø230/460V H : 3Ø240/480V X : Special Voltage	Pump Model 12 : 12A 13 : 13A	Pressure Valve 1 : With Pressure Valve 0 : Without Pressure Valve	Special Request B : Pump With Bearings